

WWW.ARKENOPTICS.COM

SH-4 GEN II OWNER'S MANUAL

➤ 6-24X50

➤ 4-16X50

WWW.ARKENOPTICS.COM

Our Mission:

Arken products are designed to combine quality, performance and precision with tremendous value. The SH4 is a FFP (First Focal Plane) optic that features a simple but rugged zero stop mechanism. The Arken SH4 incorporates adjustable elevation and windage turrets with tactile and audible clicks. These turrets offer 8 mils/20 moa per revolution.

SH-4 GENII SPECIFICATIONS:

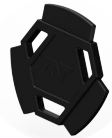
Reticle Position: First Focal Plane Reticle
 Objective Diameter: 50 mm
 Tube Size: 34 mm
 Turret Adjustment: 1/10 MIL (1/4 MOA)
 Zero Stop: AZS Zero Stop System
 Zero Reset: Yes
 Reticle: VPR
 Illuminated: Red

6- 24x 50

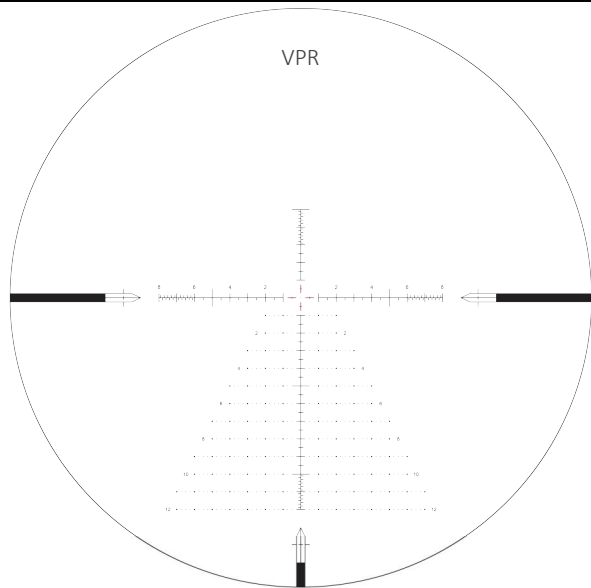
Eye Relief: 3.5in
 FOV: 20.88-5.22 ft @100 Yards
 Elevation Range: 32 MIL(108.8 MOA)
 Windage Range: 10 MIL(34.4 MOA)
 Adj./ Revolution: 8 MIL (20 MOA)
 Parallax adjustment: 25Yds - Infinity
 Length: 14.1 inches
 Weight: 36.6 oz

4- 16x 50

Eye Relief: 3.6in
 FOV: 30-7.52 ft @100 Yards
 Elevation Range: 36 MIL(123 MOA)
 Windage Range: 10 MIL(50 MOA)
 Adj./ Revolution: 8 MIL (20 MOA)
 Parallax adjustment: 25Yds - Infinity
 Length: 13.4 inches
 Weight: 35.6 oz



Battery Cap Tool
Note: Use the provided tool to unscrew the battery cap and change the CR2032 battery.



Reticle Focus Adjustment:

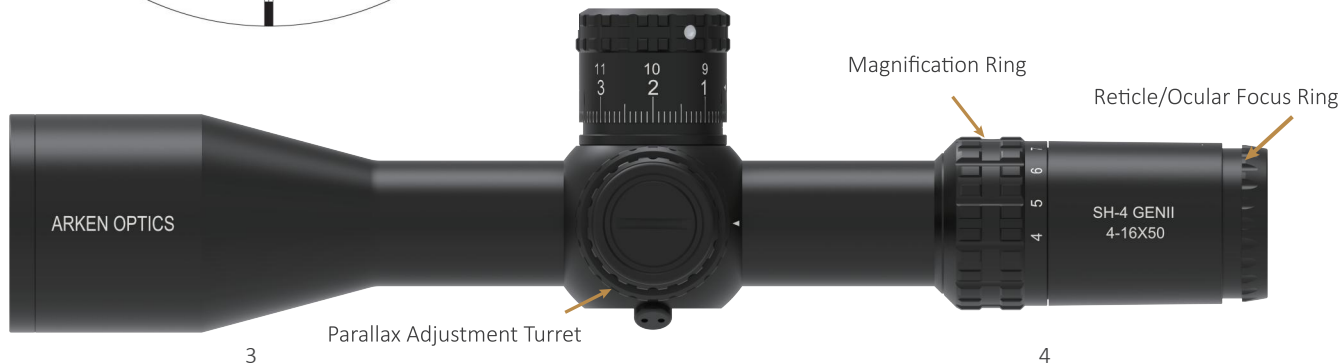
To adjust reticle focus, rotate the Reticle Focus Ring while looking at an unobstructed background. The eye will continually refocus, so this should be done in short bursts. Look away between each adjustment. The reticle should be sharp and should not appear to move with small head adjustments. Once properly set, the eye should not have to work to get the reticle in focus.

Parallax Adjustment:

To eliminate parallax, rotate the Parallax Adjustment Turret. Proper adjustment will eliminate all reticle movement within the eye box.

Variable Power Adjustment:

To obtain the desired magnification, rotate the Magnification Ring so that the indicator on the Ring corresponds with the magnification power level on the ocular housing.



Arken Zero Stop (AZS) & Turret Alignment

The **Arken Zero Stop (AZS)** allows the shooter to quickly and consistently return the elevation turret back to the sight in distance (or zero). Please use the 2mm allen wrench to loosen the **AZS Set Screw** on the **elevation turret** and raise the **AZS Zero Stop**.

1. 'Slip' the turrets: (For both Elevation & Windage Turrets)
Hold the turret in place to ensure the turret does not move during this process. Please use the 2mm allen wrench to loosen the THREE turret cap retaining screws on the SIDE of the turret. This will allow the turret to spin freely without rotating the internal components of the turret.
2. Set Turrets to Zero "0":
Rotate the turret cap to align the "0" indicator mark of the turret cap with the indicator mark on the scope tube. Carefully, tighten the THREE retaining screws on the SIDE of each turret cap.
3. Set the AZS (Arken Zero Stop)
Rotate the turret UP 2 clicks. Gently, turn the AZS located on TOP of the elevation turret clockwise to lower until you feel the AZS bottom out. Then, loosen the AZS a quarter turn to alleviate any tension. Finally, tighten the AZS Set Screw against the AZS.
4. Rotate the turret back to Zero "0".
AZS IS SET. You should have a firm stop that allows you to consistently return to zero.

The Subtension Scale: MIL or MOA:

Depending on which version you have purchased, your SH-4 riflescope will feature elevation/windage adjustments and reticles scaled in either MOA or MRAD (MIL). If you are unsure of which scale you have, reference the top of the elevation turret. Both unit of arc scales are effective at ranging and/or adjusting for bullet trajectory. For best results, the user must understand either system being employed. We recommend understanding both.

MRAD (Milliradian): 1/1000th of 1 radian of arc
 1 MIL = 3.438 MOA
 1 MIL = 3.599 inches @ 100 yards
 1/10 MIL = 0.359 inches @ 100 yards

MRAD							
100 yd	200 yd	300 yd	400 yd	500 yd	600 yd	700 yd	800 yd
3.6"	7.2"	10.8"	14.4"	18"	21.6"	25.2"	28.8"

MOA (Minute of Angle): 1//60th of 1 degree of arc
 1 MOA = 1.047 inches @ 100 yards
 ¼ MOA = 0.261 @ 100 yards.

MOA							
100 yd	200 yd	300 yd	400 yd	500 yd	600 yd	700 yd	800 yd
1"	2"	3"	4"	5"	6"	7"	8"